

**LOCK SWITCH**

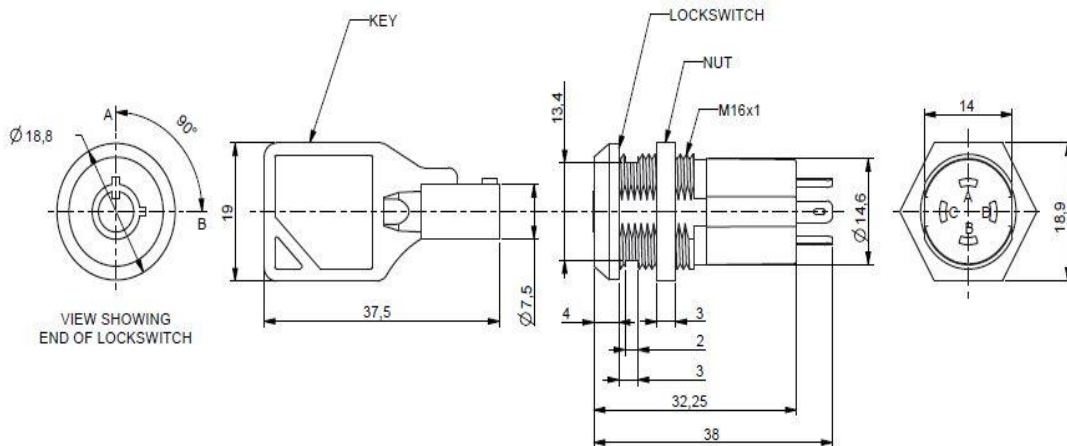
**LS16 RADIAL PIN LOCK SWITCH**

**ELECTRICAL & MECHANICAL SPECIFICATION**

<b>Switch Rating:</b>	3A @125V ac – 2A @250V ac	<b>Life:</b>	>10,000 Cycles
<b>Proof Voltage:</b>	500V dc (Initial)	<b>Operating Temperature:</b>	-20°C to +65°C
<b>Insulation Resistance:</b>	>999MΩ @ 500V dc (Initial)		

**FEATURES**

Single pole dual throw	Radial cylinder with 7 pin tumblers	Same key or 100 differ key options
Tapered lock head	Bright chrome plated zinc alloy die cast housing	Key inserted / removed in both positions
Front panel mount		UL Approved



**ORDERING CODE**

Order Code	Key Out	Key
LS16-A-S-2	0° & 90°	Same
LS16-A-D-2	0° & 90°	Differ

**PANEL PIERCING DETAILS**

